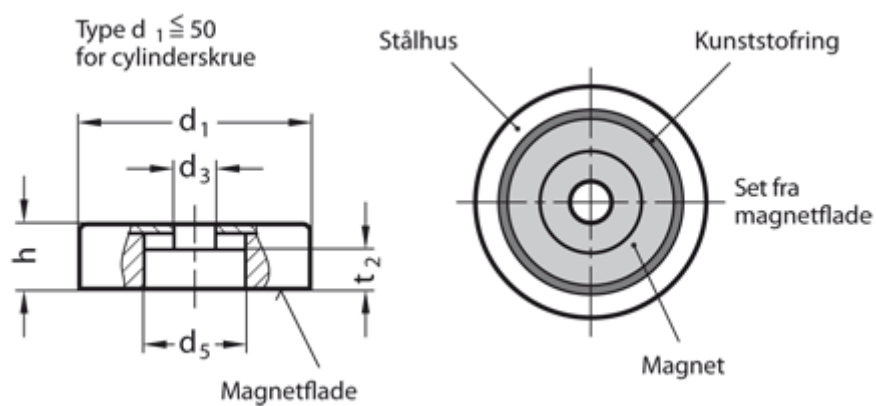


Article number: 20504HF50M6

Description: E+G Magnets with female thread GN 50.4-HF-50-10-M6
Hard ferrite - 200° C, 170N

Measures



d1 = 50 +0,2/-0,1

d3 = 12

d5 =

h = 10 +0,5/-0,1

Holding force N = 170

Material = HF Hård ferrit - 200° C

t2 =